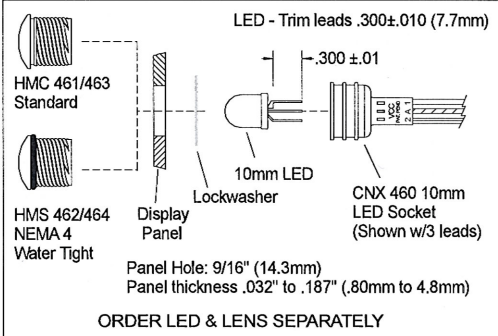


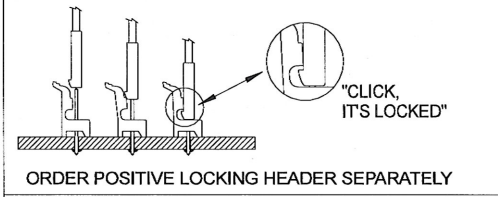
APPROVAL	DATE
	12/15/08



CABLE ORDERING CODE (EXAMPLE): CNX 460 E02 4 1 12

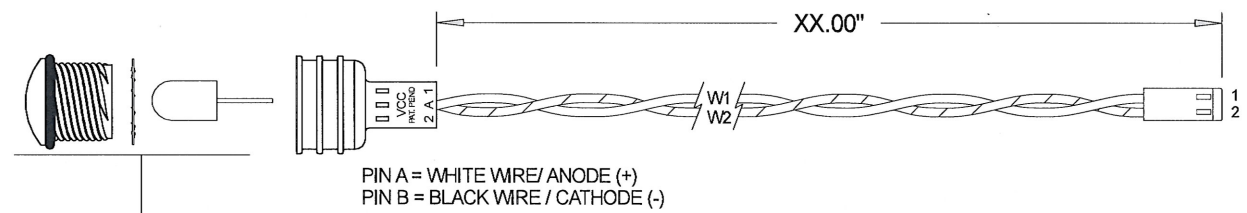
TERMINATION	WIRE SIZE	WIRE COLOR	WIRE LENGTH
X = Stripped End	Standard	1 Wht - Blk	04 4 Inches
E = Single Row	4 24 AWG	2 Red - Blk	06 6 Inches
D = Dual Row		6 Wht - Blk - Red	08 8 Inches
		0 Wht - Blk - Red - Gm	12 12 Inches
			18 18 Inches
			24 24 Inches

CALL FACTORY DIRECT FOR ADDITIONAL OPTIONS



LENS OPTIONS

LENS STYLE	COLOR
HMC 461/463 Standard	RTP - Red GTP - Green ATP - Amber BTP - Blue
HMS 462/464 Water Tight NEMA 4	YTP - Yellow CTP - Clear



Order Lens & LED Separately
(Lockwasher included with Lens)

NOTES:

Material: Lens - Polycarbonate U.L. Rating 94-V2
LED Connector - Polyester U.L. Rating 94-V0
Header Connector - Polyester U.L. Rating 94-V0
U.L. Manual - "Thermoplastic material used on a secondary circuit."
Wire: 1007/1569 - 24 AWG, stranded (105° C)
Mounting: Lens - panel hole size 5/16" (8.0mm)
Tested: UV, Solar, Shock, Vibration, Temperature -45° - 105°C. HMS 462/464 meet NEMA 4

U.S. & FOREIGN PAT. ISSUED & PEND.

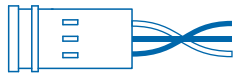
REVISIONS			
NO	DESCRIPTION	DATE	BY
1	Add HMC 463, HMS 464	12/15/08	JG
2			
3			
4			
5			

VCC P/N: CNX 460 CABLE ASSEMBLY

VCC VISUAL COMMUNICATIONS COMPANY, INC.
190 Bosstick Blvd, Ste. 101 San Marcos, California 92069 U.S.A.
Phone (760) 560-1300 Fax (760) 560-1301 e-mail vccsales@vccite.com

TOLERANCES	SCALE	N/A	DATE	11/12/08	DRAWING NO.	REV.
DECIMAL	±.500	DIAMETER	DRAWN BY	JDG	CNX 460 CABLE_Assy	1
ANGLE		RADII	CHK'D			

CABLES



CABLE ASSEMBLY FOR 5mm & 10mm LED LIGHTS

CNX 440 STANDARD ASSEMBLIES (5mm)

<p>LED 5mm bi-lead - trim lead length $.250 \pm .01$" (5.58mm) Panel Thickness - $.032$" to $.125$"; Panel Hole: $.312$" (8.0mm) Recommended LEDs - 5mm bi-lead, 5mm tri-lead (tri-color) and 5mm six-lead (RGB)</p>	<p>LED 5mm tri-lead - leads custom formed by VCC Panel Thickness - $.032$" to $.125$"; Panel Hole: $.312$" (8.0mm)</p>

CNX 460 STANDARD ASSEMBLIES (10mm)

<p>LED 10mm bi-lead - trim lead length $.300 \pm .01$" (8.13mm) Panel Thickness - $.032$" to $.187$"; Panel Hole: $.562$" (14.0mm) Recommended LEDs - 10mm bi-lead, 10mm tri-lead (bi-color), 10mm six lead (RGB) and Hi-Flux four-lead ultra bright.</p>	<p>LED Hi-Flux lead length: Install as is. Panel thickness - $.032$" to $.187$"; Panel Hole: $.562$" (14.0mm).</p>

HEADER CONNECTORS AND HEADERS

<p>E 02 CONNECTOR LOCKING HEADER</p> <p>Single Row on $.100$" centers</p>	<p>D 04 CONNECTOR LOCKING HEADER</p> <p>Dual Row on $.100$" x $.100$" centers</p>
---	--

ORDERING CODES

CNX 440 E02 4 1 12

CONNECTOR STYLE	TERMINATION	WIRE SIZE	WIRE COLOR	WIRE LENGTH
CNX 440 for 5mm LED CNX 460 for 10mm LED See above for available lens options (Sold Separately)	X = STRIPPED END E = SINGLE ROW D = DUAL ROW 02 = 2 Wires 03 = 3 Wires 04 = 4 Wires	STANDARD 4 24 AWG	1 - WHT - BLK 2 - RED - BLK 6 - WHT - BLK - RED 0 - WHT - BLK - RED - GRN	04 4 INCHES 06 6 INCHES 08 8 INCHES 12 12 INCHES 18 18 INCHES 24 24 INCHES

ADDITIONAL OPTIONS AVAILABLE